

.50 Cal Bushmaster



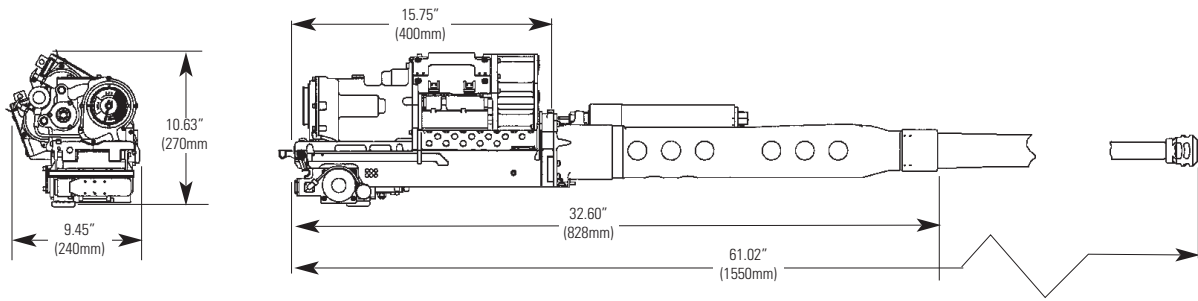
Machine Gun

The .50 caliber Bushmaster chain gun® is a derivative of the combat proven M242 25mm Bushmaster automatic cannon. What's more, it incorporates all of the battle-proven features of the 25mm Bushmaster cannon, with significant system commonality for low-risk, proven performance features.

Key features and benefits include:

- Fires all .50 caliber (12.7mm) ammunition including the Saboted Light Armor Penetrator (SLAP) round
- Compact size and weight facilitates easy upgrades of existing turrets
- Low toxicity levels
- High reliability, safety, and low life cycle costs based on over 14,000 Bushmaster cannons in service worldwide
- Dual feed system
- Low recoil
- Anti-hangfire system

Dimensions



.50 Caliber



Characteristics	Imperial	Metric
Recoil	1,500 lb	6,672 N
Weight*		
Receiver	35 lb	15.9 kg
Feeder	14 lb	6.4 kg
Barrel	27 lb	12.2 kg
Total	76 lb	34.4 kg
Rate of Fire	400/500 spm (with burst limiter)	
Power Required	28 vdc	
Clearing Method	Open bolt	
Safety	Anti-hangfire safety	
Case Ejection	Forward	

*Includes gun barrel, drive motor, recoil system and integral dual feeder.

For information contact: ATK Integrated Weapon Systems
 3309 N. Reseda Circle
 Mesa, AZ 85215 USA
 Phone: 480-324-8729

108380_04
 Approved for public release OSR 02-S-2440