

Javelin Launch Tube Assembly (LTA)



Lightweight, high-strength composites give the U.S. Army and U.S. Marine Corps a highly effective, man-portable anti-tank weapon

Overview

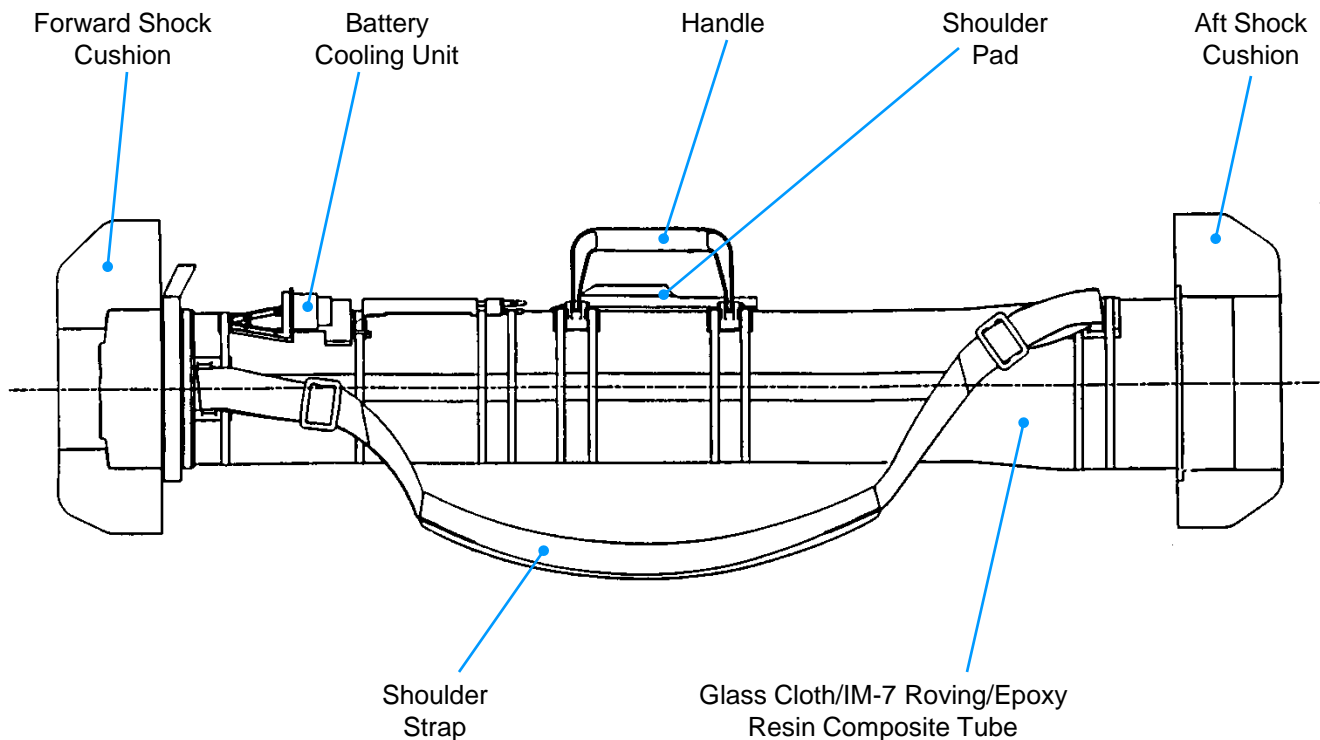
The Javelin missile is a man-portable, fire-and-forget anti-tank weapon designed to provide high lethality against advanced armor. It is a rugged, reliable, and easily maintainable infantry system for the U.S. Army and U.S. Marine Corps. The Javelin replaces the aging Dragon weapon system with greater lethality and a range of 1.25 miles.

Application

The Javelin Launch Tube Assembly (LTA) is an expendable, lightweight composite launch tube used for the man-portable Javelin anti-tank weapon system. A dual-use structure, the Javelin LTA serves as both the missile container and launch tube.

Development

ATK Tactical Systems Company completed qualification of the Javelin LTA in August 1995 and completed the Low Rate Initial Production (LRIP) 1 program in August 1998. ATK is currently in full rate production (FRP) as the sole source supplier of the Javelin Launch Tube Assembly.



Javelin Launch Tube Assembly (LTA)

Features

- Proven graphite fiber and resin formulation
- Wound-in moisture barrier
- Forward and aft shock cushions
- Restrictor and frangible aft membrane
- Bonded CLU/BCU attachment interfaces

Performance

- Temperature limits:
 - Operating: -26°F to $+120^{\circ}\text{F}$
 - Storage: -51°F to $+160^{\circ}\text{F}$

Technical Data

Weight: 6.3 lb
 Length: 47.8 in.
 Diameter: 5.66-in. forward end inside diameter (ID), 6.30-in. aft end ID

For information contact: ATK Defense Components
 8560 Cinderbed Road
 Suite 700
 Newington, VA 22122-8560
 Tel 703-984-9893 Fax 703-339-6953

Approved for release to the public domain 3/98
 97-S-3644